

# Collection Broom 2001

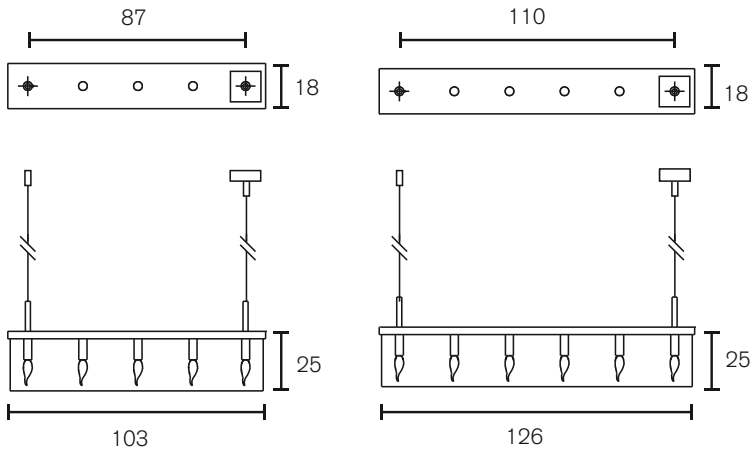
## TECHNICAL DATA SHEET



**BROOM HANGING LAMP BC126ST**

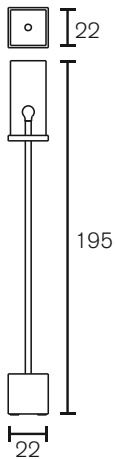
## Hanging Lamp

Art.nr.	Dimensions
BC103ST	Length 103cm, Width 18cm, Height 25cm, Length steel cable 200cm, 5x E14, 18,0 kg, stainless steel
BC126ST	Length 126cm, Width 18cm, Height 25cm, Length steel cable 200cm, 6x E14, 22,0 kg, stainless steel



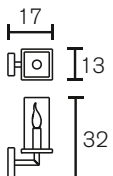
## Floor Lamp

Art.nr.	Dimensions
BF195ST	Length 22cm, Width 22cm, Height 195cm, 1x E27, 32,0 kg, stainless steel



## Wall Lamp

Art.nr.	Dimensions
BW13ST	Width 13cm, Height 32cm, Depth 17cm, 1x E14, 3,0 kg, stainless steel



All hanging lamps are supplied with 2 meter steel- and electrical cable and a ceiling shade. Long ceiling shade with two steel cable connections available on request.  
All floor lamps are supplied with a dimmer.

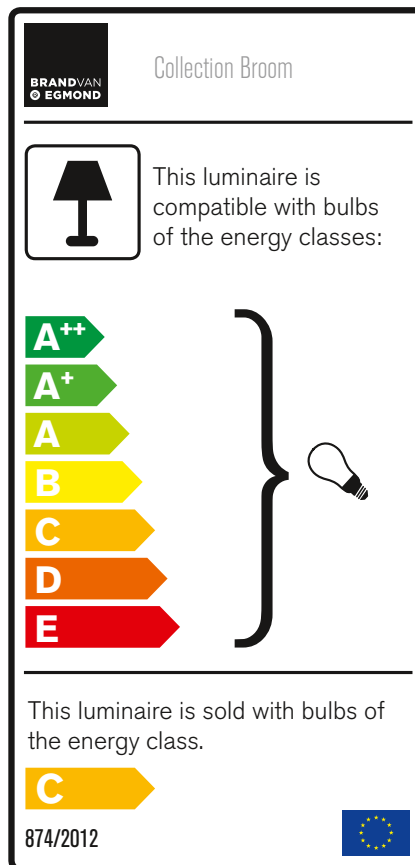
BRAND VAN EGMOND B.V. Nikkelstraat 41, 1411 AH Naarden, the Netherlands

+31 (0)35 692 12 59

+31 (0)35 691 17 25

info@brandvanegmond.com

www.brandvanegmond.com



The image shows an energy label for a luminaire. At the top left is the 'BRAND VAN EGMOND' logo. To its right is the text 'Collection Broom'. Below the logo is a square icon containing a lamp symbol. To the right of this icon is the text: 'This luminaire is compatible with bulbs of the energy classes:'. Below this text is a vertical stack of seven energy class arrows: A++ (green), A+ (light green), A (yellow-green), B (yellow), C (orange), D (red-orange), and E (red). A large right-facing curly bracket groups the A, B, C, D, and E classes, with a small lightbulb icon to its right. Below the energy class arrows is the text: 'This luminaire is sold with bulbs of the energy class.' followed by a single yellow arrow pointing right with the letter 'C' inside it. At the bottom left of the label is the number '874/2012', and at the bottom right is the European Union flag.

## Cleaning instruction

1. Cleaning by expert is advised.
2. Cut power before cleaning.
3. Clean with a soft dry cloth only or use a feather duster.
4. When using cleaning agent use a multi-surface spray cleaner on a soft cloth. Do not use abrasive cloths or substances and always read the label of any product you wish to use on or near a lamp by BRAND VAN EGMOND.