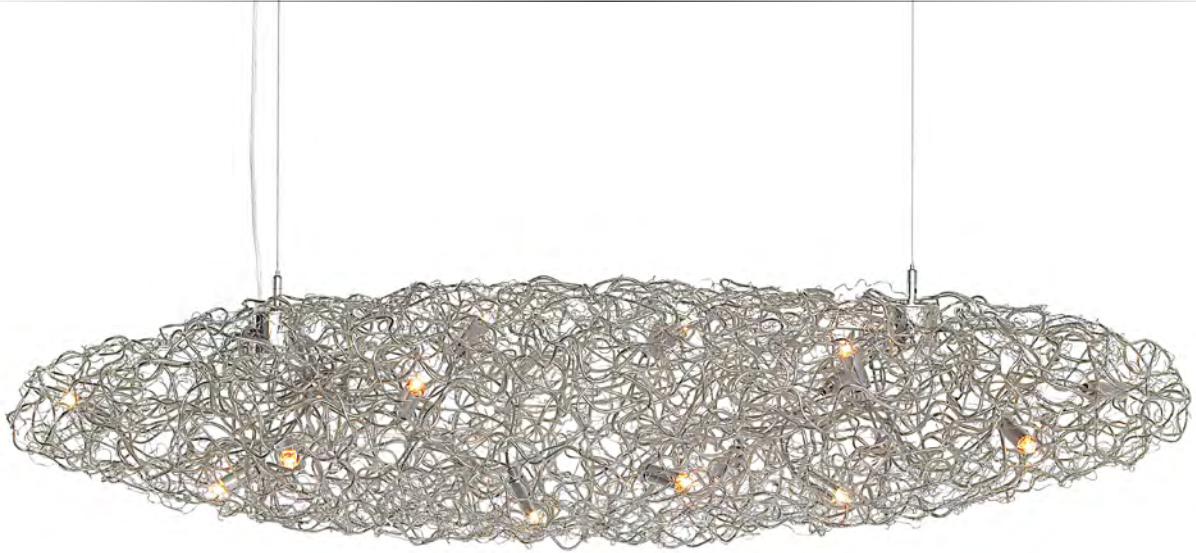


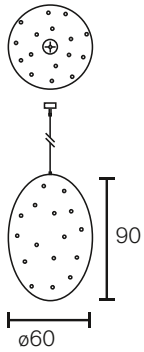
Collection Crystal Waters 1999

TECHNICAL DATA SHEET



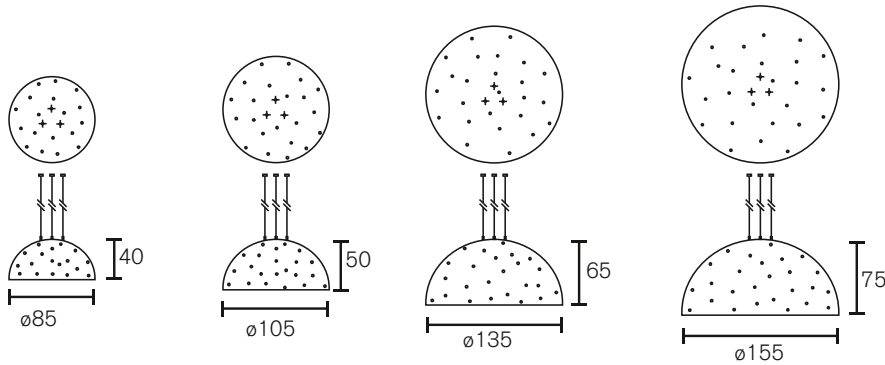
Hanging Lamp

Art.nr.	Dimensions
CWH60NH	Ø 60cm, Height 90cm, Length steel cable 200cm, 16x G9, 12,0 kg, nickel finish



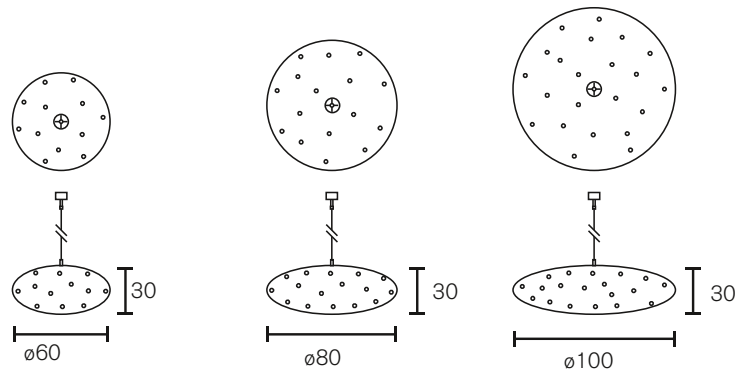
Hanging Lamp Hood

Art.nr.	Dimensions
CWS85NH	Ø 85cm, Height 40cm, Length steel cable 200cm, 18x G9, 18,0 kg, nickel finish
CWS105NH	Ø 105cm, Height 50cm, Length steel cable 200cm, 22x G9, 27,0 kg, nickel finish
CWS135NH	Ø 135cm, Height 65cm, Length steel cable 200cm, 24x G9, 42,0 kg, nickel finish
CWS155NH	Ø 155cm, Height 75cm, Length steel cable 200cm, 26x G9, 55,0 kg, nickel finish



Hanging Lamp Ufo

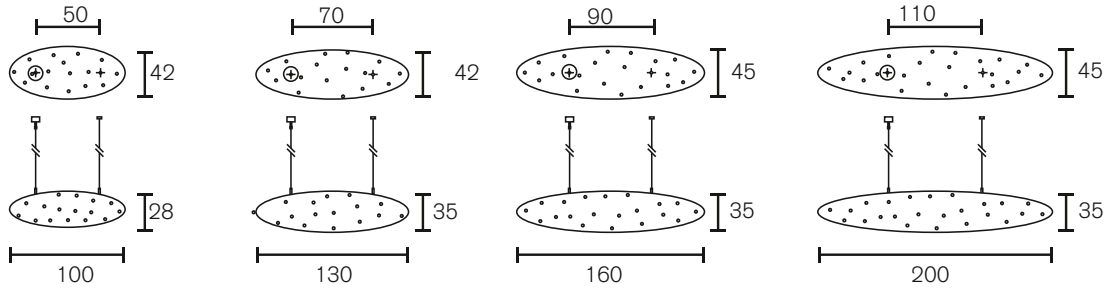
Art.nr.	Dimensions
CWH59NH	Ø 60cm, Height 30cm, Length steel cable 200cm, 12x G9, 7,0 kg, nickel finish
CWH80NH	Ø 80cm, Height 30cm, Length steel cable 200cm, 16x G9, 10,0 kg, nickel finish
CWH100NH	Ø 100cm, Height 30cm, Length steel cable 200cm, 20x G9, 13,0 kg, nickel finish



All hanging lamps are supplied with 2 meter electrical cable, 2 meter steel cable and a ceiling shade.

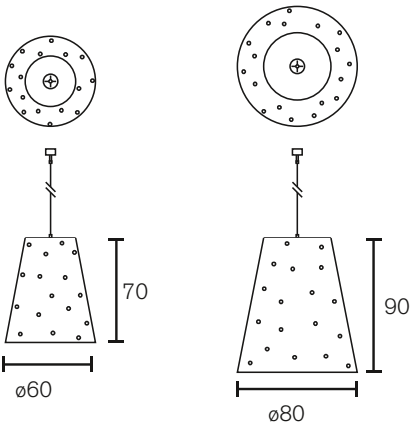
Hanging Lamp Cigar

Art.nr.	Dimensions
CWS100NH	Length 100cm, Width 42cm, Height 28cm, Length steel cable 200cm, 12x G9, 6,0 kg, nickel finish
CWS130NH	Length 130cm, Width 42cm, Height 35cm, Length steel cable 200cm, 16x G9, 8,0 kg, nickel finish
CWS160NH	Length 160cm, Width 45cm, Height 35cm, Length steel cable 200cm, 22x G9, 12,0 kg, nickel finish
CWS200NH	Length 200cm, Width 45cm, Height 35cm, Length steel cable 200cm, 26x G9, 15,0 kg, nickel finish



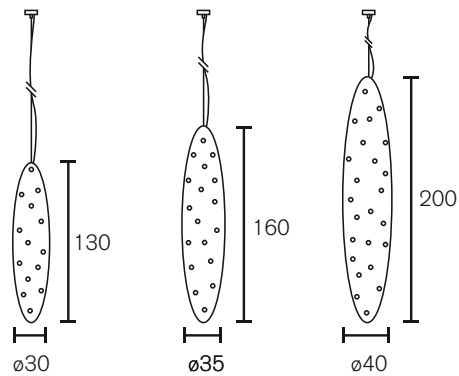
Hanging Lamp Shade

Art.nr.	Dimensions
CWSHADE60NH	Ø 60cm, Height 70cm, Length steel cable 200cm, 16x G9, 25,0 kg, nickel finish
CWSHADE80NH	Ø 80cm, Height 90cm, Length steel cable 200cm, 18x G9, 35,0 kg, nickel finish



Hanging Lamp Drop

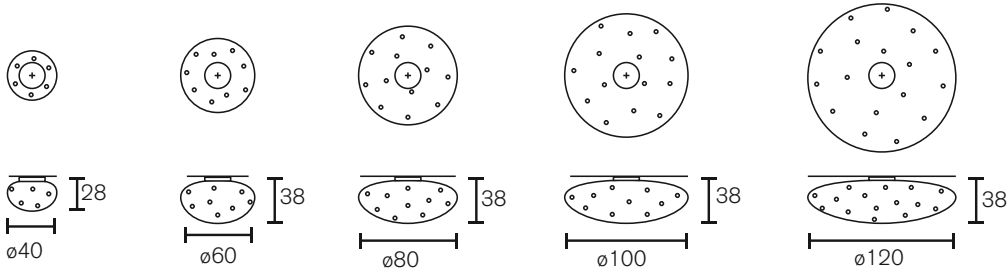
Art.nr.	Dimensions
CWH130NH	Ø 30cm, Height 130cm, Length steel cable 200cm, 14x G9, 9,0 kg, nickel finish
CWH160NH	Ø 35cm, Height 160cm, Length steel cable 200cm, 18x G9, 11,0 kg, nickel finish
CWH200NH	Ø 40cm, Height 200cm, Length steel cable 200cm, 24x G9, 15,0 kg, nickel finish



All hanging lamps are supplied with 2 meter electrical cable, 2 meter steel cable and a ceiling shade.

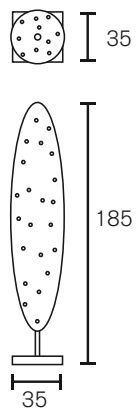
Ceiling Lamp Round

Art.nr.	Dimensions
CWP40NH	Ø 40cm, Height 28cm, 7x G9, 4,0 kg, nickel finish
CWP60NH	Ø 60cm, Height 38cm, 10x G9, 5,0 kg, nickel finish
CWP80NH	Ø 80cm, Height 38cm, 13x G9, 10,0 kg, nickel finish
CWP100NH	Ø 100cm, Height 38cm, 16x G9, 12,0 kg, nickel finish
CWP120NH	Ø 120cm, Height 38cm, 17x G9, 16,0 kg, nickel finish



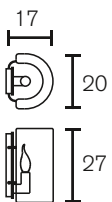
Floor Lamp

Art.nr.	Dimensions
CWF180NH	Ø 35cm, Height 185cm, 20x G9, 22,0 kg, nickel finish



Wall Lamp

Art.nr.	Dimensions
150CW1N	Width 20cm, Height 27cm, Depth 17cm, 1x E14, 3,0 kg, nickel finish



All hanging lamps are supplied with 2 meter electrical cable, 2 meter steel cable and a ceiling shade. All floor lamps are supplied with a dimmer.

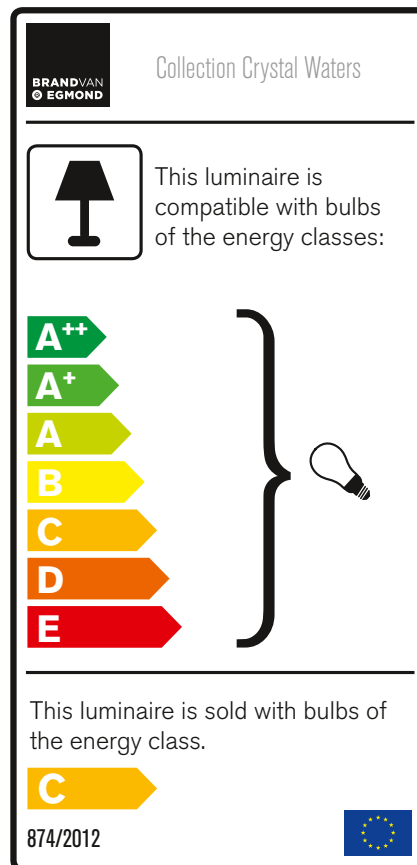
BRAND VAN EGMOND B.V. Nikkelstraat 41, 1411 AH Naarden, the Netherlands

+31 (0)35 692 12 59

+31 (0)35 691 17 25

info@brandvanegmond.com

www.brandvanegmond.com



Cleaning instruction

1. Cleaning by expert is advised.
2. Cut power before cleaning.
3. Clean with a soft dry cloth only or use a feather duster.
4. When using cleaning agent use a multi-surface spray cleaner on a soft cloth. Do not use abrasive cloths or substances and always read the label of any product you wish to use on or near a lamp by BRAND VAN EGMOND.