

# Collection Flintstone 2015

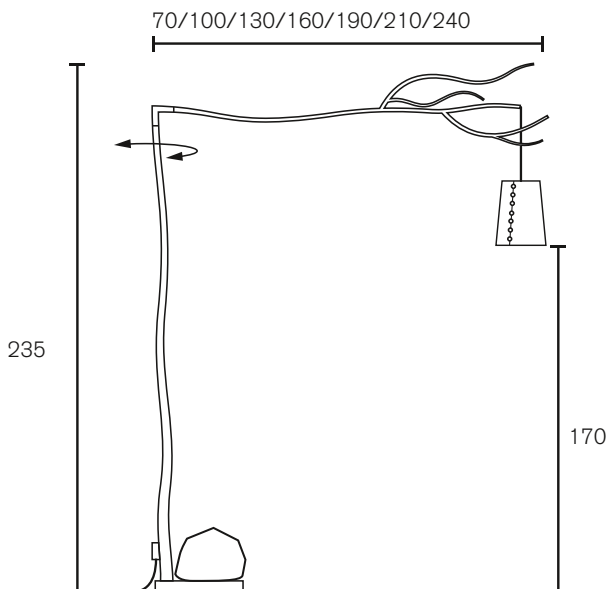
## TECHNICAL DATA SHEET

---



## Floor lamp

Art.nr.	Dimensions
FLINTF70BLM	Length 70cm, Width 40cm, Height 235cm, 1x E27, 40,0 kg, black matt finish
FLINTF70WM	Length 70cm, Width 40cm, Height 235cm, 1x E27, 40,0 kg, white matt finish
FLINTF70N	Length 70cm, Width 40cm, Height 235cm, 1x E27, 40,0 kg, nickel finish
FLINTF100BLM	Length 100cm, Width 40cm, Height 235cm, 1x E27, 40,0 kg, black matt finish
FLINTF100WM	Length 100cm, Width 40cm, Height 235cm, 1x E27, 40,0 kg, white matt finish
FLINTF100N	Length 100cm, Width 40cm, Height 235cm, 1x E27, 40,0 kg, nickel finish
FLINTF130BLM	Length 130cm, Width 40cm, Height 235cm, 1x E27, 40,0 kg, black matt finish
FLINTF130WM	Length 130cm, Width 40cm, Height 235cm, 1x E27, 40,0 kg, white matt finish
FLINTF130N	Length 130cm, Width 40cm, Height 235cm, 1x E27, 40,0 kg, nickel finish
FLINTF160BLM	Length 160cm, Width 40cm, Height 235cm, 1x E27, 40,0 kg, black matt finish
FLINTF160WM	Length 160cm, Width 40cm, Height 235cm, 1x E27, 40,0 kg, white matt finish
FLINTF160N	Length 160cm, Width 40cm, Height 235cm, 1x E27, 40,0 kg, nickel finish
FLINTF190BLM	Length 190cm, Width 40cm, Height 235cm, 1x E27, 40,0 kg, black matt finish
FLINTF190WM	Length 190cm, Width 40cm, Height 235cm, 1x E27, 40,0 kg, white matt finish
FLINTF190N	Length 190cm, Width 40cm, Height 235cm, 1x E27, 40,0 kg, nickel finish
FLINTF210BLM	Length 210cm, Width 40cm, Height 235cm, 1x E27, 40,0 kg, black matt finish
FLINTF210WM	Length 210cm, Width 40cm, Height 235cm, 1x E27, 40,0 kg, white matt finish
FLINTF210N	Length 210cm, Width 40cm, Height 235cm, 1x E27, 40,0 kg, nickel finish
FLINTF240BLM	Length 240cm, Width 40cm, Height 235cm, 1x E27, 40,0 kg, black matt finish
FLINTF240WM	Length 240cm, Width 40cm, Height 235cm, 1x E27, 40,0 kg, white matt finish
FLINTF240N	Length 240cm, Width 40cm, Height 235cm, 1x E27, 40,0 kg, nickel finish



All floor lamps are supplied with a dimmer.  
A unique rock will be included with each Flintstone by BRAND VAN EGMOND

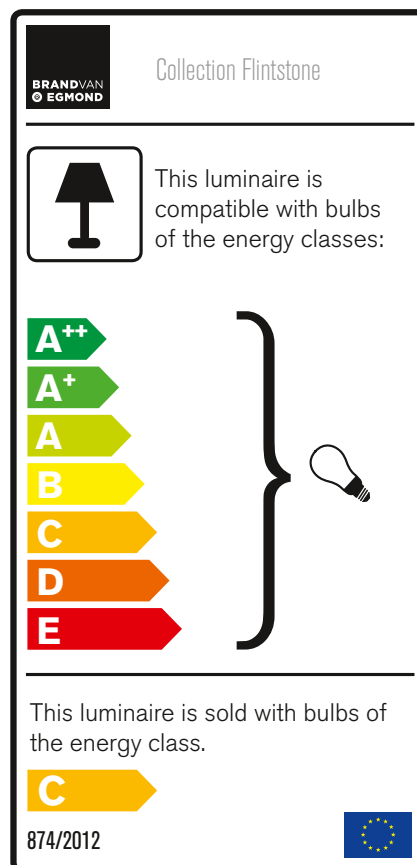
BRAND VAN EGMOND B.V. Nikkelstraat 41, 1411 AH Naarden, the Netherlands

+31 (0)35 692 12 59

+31 (0)35 691 17 25

info@brandvanegmond.com

www.brandvanegmond.com



## Cleaning instruction

1. Cleaning by expert is advised.
2. Cut power before cleaning.
3. Clean with a soft dry cloth only or use a feather duster.
4. When using cleaning agent use a multi-surface spray cleaner on a soft cloth. Do not use abrasive cloths or substances and always read the label of any product you wish to use on or near a lamp by BRAND VAN EGMOND.