

Collection Lola 2007

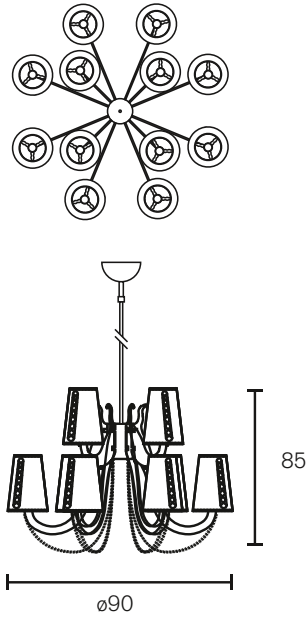
TECHNICAL DATA SHEET



LOLA CHANDELIER ROUND LLCCR100ST

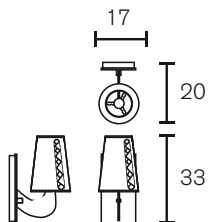
Chandelier Round

Art.nr.	Dimensions
LLCCR100BLM	Ø 90cm, Height 85cm, Length stem 200cm, 12x E14, 25,0 kg, black matt finish
LLCCR100WM	Ø 90cm, Height 85cm, Length stem 200cm, 12x E14, 25,0 kg, white matt finish
LLCCR100ST	Ø 90cm, Height 85cm, Length stem 200cm, 12x E14, 25,0 kg, stainless steel



Wall Lamp

Art.nr.	Dimensions
LLW20BLM	Width 17cm, Height 33cm, Depth 20cm, 1x E14, 3,0 kg, black matt finish
LLW20WM	Width 17cm, Height 33cm, Depth 20cm, 1x E14, 3,0 kg, white matt finish
LLW20ST	Width 17cm, Height 33cm, Depth 20cm, 1x E14, 3,0 kg, stainless steel



The chandelier is supplied with 2 meter stem, 2 meter electrical cable and a ceiling shade. All crystals are original Swarovski crystals.

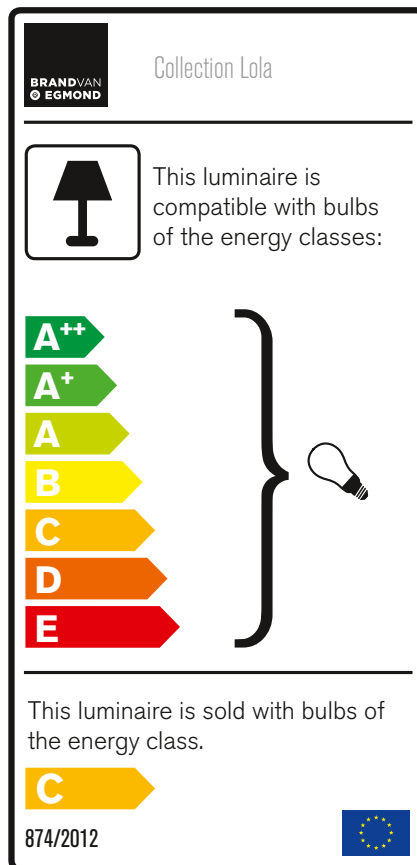
BRAND VAN EGMOND B.V. Nikkelstraat 41, 1411 AH Naarden, the Netherlands

+31 (0)35 692 12 59

+31 (0)35 691 17 25

info@brandvanegmond.com

www.brandvanegmond.com



Cleaning instruction

1. Cleaning by expert is advised.
2. Cut power before cleaning.
3. Clean with a soft dry cloth only or use a feather duster.
4. When using cleaning agent use a multi-surface spray cleaner on a soft cloth. Do not use abrasive cloths or substances and always read the label of any product you wish to use on or near a lamp by BRAND VAN EGMOND.